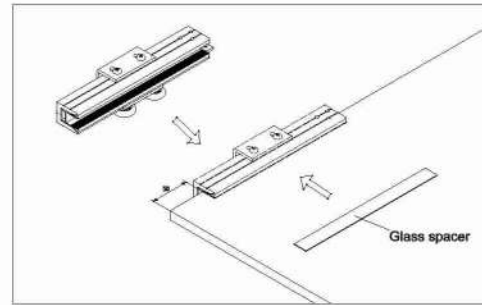
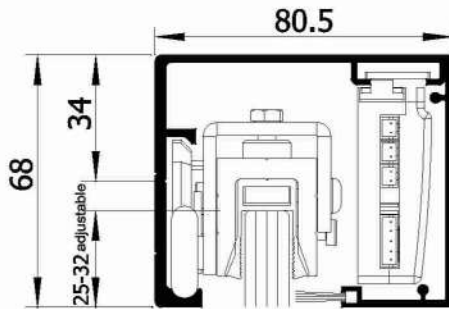


## SLIDING SINGLE GLASS DOOR OPERATOR AZSLD200

# AUTOZON®



SMOOTH RUNNING



SUPER SILENT



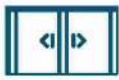
HIGH TECHNOLOGY



ASSEMBLED FAST

### PRODUCT DESCRIPTION:

- o AZSLD200 is Slimmest Automatic Sliding Door System with tiniest yet powerful operator which is only 68 mm height
- o It is compatible for single glass sliding door
- o The micro control drives the motor and controls the door to operate in the set mode. with the application of European engine and gearbox integration technology, the engine is made strong with stability in operation
- o Special lubrication measures, special deceleration mute wheel, professionally designed hanging parts and roller structure greatly reduce the running noise.
- o Suitable for offices, homes, restaurants, etc., can be used with a wide range of doors used for varied purposes.



# SLIDING SINGLE GLASS DOOR OPERATOR AZSLD200

# AUTOZON®

## RECOMMENDED ACCESSORIES:



AZ MRS 68  
Microwave Sensor



AZ OMS 68 01  
Microwave Sensor



AZ SLDRIS68 02  
Microwave & Infrared Sensor



AZ SLD SBP 71  
Photo Cell



AZ SLD TX 69  
Transmitter



AZ SLD TLS 73  
Wired Touchless Sensor



AZ SLD WLTS 74  
Wireless Touchless Sensor



AZ SLD PB WL 70  
Wireless Push Button & Receiver



AZ FS 92  
Foot Sensor



AZ WIFI 31 A  
Wifi Module

## DOOR FIXING APPLICATIONS:



Frameless Glass Door



Wooden Door

## OPTIONAL INTEGRATION:



FACE  
RECOGNITION



FINGER  
PRINT



RFID



QR CODE



PASSWORD



IOT



TOUCHLESS  
SENSOR



SAFETY  
DEVICES



BATTERY  
BACKUP

## TECHNICAL SPECIFICATIONS:

### AZSLD200

Door type	Single Door
Loading weight	60 kg
Door width	600-1100 mm
Power Supply	220 V - 240 V AC
Rated Power	24 V BL DC / 40 W
Opening speed	100-410 mm/S (adjustable)
Closing speed	120-220 mm/S (adjustable)
Opening time	0-20 s (adjustable)
Environment temperature	- 20 ~ +70° C
Track Width	2.5 m
Weight	8.5 Kg